

特点 Features

CAN-Bus总线系统 CAN-Busconnectivity

- 所有电子部件经由总线系统控制，叉车诊断方便快捷
- 通过总线系统，服务工程师可根据用户实际情况调节叉车运行参数

- Electronic management of all components permitting quick and easy diagnosis
- All performance parameters can be configured exactly by the service technician for every individual mission

驱动系统 Drive system

- 无论满载还是空载最高时速为 6km/h
- 松开加速开关自动制动
- 按下紧急开关实现电磁制动，作用力的大小根据负载自动调整
- 反向行驶再生制动

- Top speed 6km/h loaded and unloaded
- Automatic braking on releasing the travel switch
- Electromechanical braking initiated by the emergency stop button acts on the drive motor, proportion to the load carried
- Well controllable regenerative braking on reversing direction of travel

标准配置和选项 Standard and Optional Equipment

标准配置 Standard Equipment

- 电池放电指示器
- 带防滑橡胶垫的悬浮式站板
- 配备多种规格储物格的工作平台
- 货叉560/1150
- 转向力可调的助力转向
- 转弯自动减速系统
- 交流驱动电机
- 松开加速按钮自动制动系统
- 两个固定式稳定轮
- 橡胶驱动轮
- 双聚氨酯承载轮
- 电喇叭
- 低温保护至 -10°C
- 负载自适应紧急制动系统

- Battery discharge indicator
- Suspension platform with skidproof mat
- Workstation incorporating storage compartments
- Fork 560/1150
- Power-assisted steering, adjustable steering resistance
- Automatic speed reduction on cornering
- AC drive motor
- Automatic braking on releasing butterfly switch
- Two fixed castor wheels
- Cushion drive wheel
- Tandem polyurethane load wheels
- Electric horn
- Low temperature protection to -10°C
- Electromagnetic emergency brake acting proportionally to the load weight

可选配置 Optional Equipment

- 电池侧面更换
- 可折叠护臂
- 货叉680/1150
- 聚氨酯驱动轮
- 冷库保护至-35°C

- Side battery change
- Side guard
- Fork 680/1150
- Polyurethane drive wheel
- Cold store version to -35°C

其他满足客户要求的可选配置 Other Options Available on Request



站驾式电动托盘搬运叉车 T20AP04 Stand-on Electric Pallet Truck 2000kg

1158

安全性 Safety

三套制动系统：松开行驶开关自动制动；舵柄在水平和垂直极限位置实现电磁机械制动；按下反向行驶开关实现反向电流制动。紧急制动按钮切断所有电路，启动电磁机械制动。圆弧形车体轮廓，无锐边，所有车轮都布置在车体内，不露出车体轮廓，舵柄的弧形防护架对手提供充分的保护。Three-way braking systems: automatic braking by LBC on releasing travel control switch; electromechanical braking when tiller is moved fully up or down; electronic braking by reversing travel control switch. Emergency stop button interrupts all electric circuits and actuates electromechanical brake. Round truck contours, no sharp edges, and all wheels contained within chassis, do not turn beyond truck contours. Hands protected within tiller head guard.

高性能 Performance

无论空载还是满载，1.5 千瓦的交流电机保证叉车在启动和高速行驶时都有足够的动力。整车的动力由林德数字控制器 LAC 精确控制，按需供能。The 1.5kW AC motor guarantees reaction on start-up and a high top speed, almost identical whether unloaded or loaded. The developed power is operated by LAC and is perfectly controlled.

舒适性 Comfort

舒适的操作环境确保驾驶员高效精准的工作表现。站板表面配有柔软的减震垫以减少震动。与电子转向配合，新型的站板具有极优越的操作舒适性。Precision working at the highest level of performance calls for a high level of operator comfort. The platform is fitted with a flexible anti-vibration carpet which dampens impacts. When combined with electric steering, this new platform provides incomparable operating and handling comfort.

特点 Features

林德独创控制舵柄 Linde control handlebars

- 人机工程设计及安装
- 充分保护双手
- 所有的控制按钮都集中在舵柄头部，单手即可操作

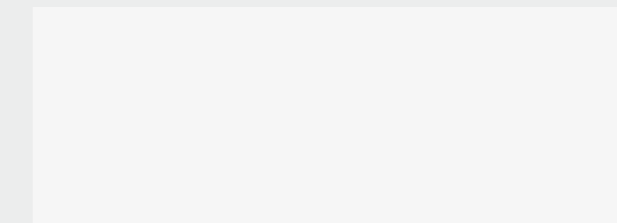
- Ergonomic design and position
- Optimum protection for both hands
- All main control functions integrated in the one handle for operation by either hand or both



电池和充电机 Battery and charger

- 电池垂直更换
- 多种电池容量可供选择，从180Ah 到 620Ah
- 多种充电机可供选择，标准以及快速充电机

- Vertical battery change
- Wide range of batteries (low & high) from 180Ah (2PzS) to 620Ah (4PzS)
- Wide range of standard and rapid chargers



林德(中国)叉车有限公司 Linde (China) Forklift Truck Corp., Ltd.
地址: 厦门市金尚路89号 Add.: No. 89, Jinshang Road, Xiamen 361009
电话/Tel: (0592)5533800 销售热线/Hot Line: (0592)5533888 800-858-2665(免费)
传真/Fax: (0592)5533242 服务热线/Service Hot Line: (0592)5533942
http://www.linde-china.com



工作平台 Workstation

- 电池放电指示器
- 前部设置宽大的储物格，可用于存放如包装膜、手套、笔等工具
- 带安全开关的悬浮站板可以吸收震动，站板橡胶垫使叉车操作舒适

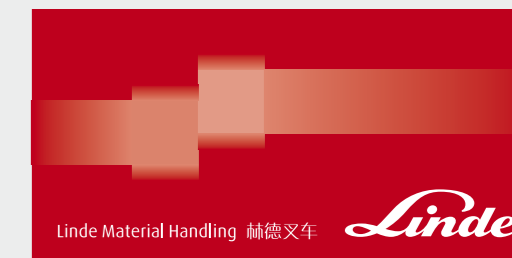
- Battery discharge indicator
- Wide and deep storage compartments in front for wrapping paper, work gloves, writing utensils, etc.
- Soft mat platform for high operator comfort. Platform suspension with safety switch absorbs vibration and shock



交流电机 AC motor

- 1.5kW大功率电机动力强劲、运转平稳
- 防潮、防尘保护的电机完全不需维护
- 满载爬坡能力为13%
- 斜坡启动不下滑

- Powerful, smooth-running 1.5kW (at 100% performance) AC motor
- Moisture- and dust-proof motor, zero maintenance requirement
- Gradeability 13% fully loaded
- No rollback on uphill starting

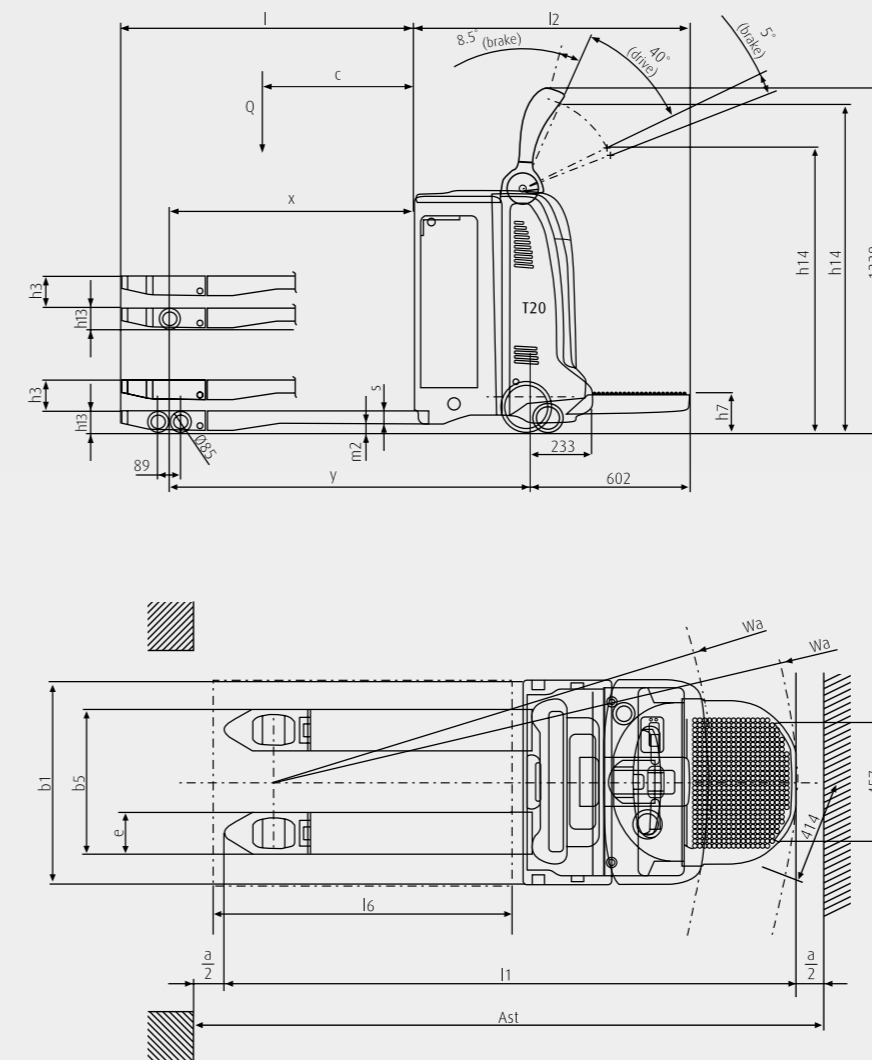


若有技术参数的改进，恕不另行通知。所示图表可能含非标准配置。
"Subject to modification in the interests of progress, illustration and technical details not binding for actual constructions and may show the optional equipments."

1158_T20AP04_D-02_201012

叉车技术参数 Technical Data

特性 Characteristics	1.1	制造厂商	Manufacturer	Linde		
	1.2	型号	Model designation	T20AP04		
	1.3	动力	Power unit	蓄电池 Battery		
	1.4	驾驶方式	Operation	站驾式 Stand-on		
	1.5	额定承载能力	Load capacity	Q(kg)	2000	
	1.6	载荷中心距	Load center	c(mm)	600	
	1.8	前悬距(货叉提升/下降)	Axle centre to fork face (fork raised/lowered)	x(mm)	895/962	
	1.9	轴距(货叉提升/下降)	Wheelbase (fork raised/lowered)	y(mm)	1431/1497	
	重量 Weights	2.1	自重	Service weight (with battery item 6.5)	kg	867
2.2		满载时的桥负荷, 驱动侧/承重侧	Axle load with load, drive/load side	kg	1133/1734	
2.3		空载时的桥负荷, 驱动侧/承重侧	Axle load without load drive/load side	kg	706/161	
轮胎 Wheels	3.1	轮胎, 驱动侧/承重侧: 橡胶实心胎, 聚氨酯胎	Tyre, operator/load side: Rubber (R), polyurethane (PU)		R+P/P	
	3.2	轮胎尺寸, 驱动侧	Tyre size, drive side	mm	Ø 254 x 102	
	3.3	轮胎尺寸, 承重侧	Tyre size, load side	mm	Ø 85 x 105	
	3.4	稳定轮尺寸	Auxiliary wheel, size	mm	Ø 125 x 60	
	3.5	车轮数量, 驱动侧/承重侧 (x=驱动轮)	Wheels number, drive/load side (x=driven)		1X+2/4	
	3.6	轮距, 驱动侧	Track width, drive side	mm	544	
	3.7	轮距, 承重侧	Track width, load side	mm	355/395/515	
尺寸 Dimensions	4.4	提升高度	Lift	h ₃ (mm)	125	
	4.8	驾驶站板高度(打开时)	Height of driving platform (low position)	h ₇ (mm)	160	
	4.9	作业时手柄高度	Height of tiller am in operation position	h ₁₄ (mm)	1103/1287	
	4.15	下降后货叉距地高度	Fork height, lowered	h ₁₃ (mm)	85	
	4.19	总体长度	Overall length	l ₁ (mm)	2288	
	4.20	车体长度(不含货叉)	Length to fork face	l ₂ (mm)	1138	
	4.21	车体宽度	Overall width	b ₁ (mm)	790	
	4.22	货叉尺寸	Fork dimensions	s/e/l(mm)	55 x 165 x 1150	
	4.25	过货叉距离(最小/最大)	Fork spread	b ₅ (mm)	560/680	
	4.32	轴距中心距地间隙	Ground clearance, center of wheelbase min./max.	m ₂ (mm)	30/155	
	4.33	直角堆垛通道宽度, 托盘 1000x1200(1200 跨货叉放置)	Aisle width, 1000x1200mm pallet crosswise	Ast(mm)	1999 ¹⁾ /2336 ²⁾	
	4.34	直角堆垛通道宽度, 托盘 800x1200(1200 沿货叉放置)	Aisle width, 800x1200mm pallet lengthwise	Ast(mm)	2199 ¹⁾ /2536 ²⁾	
	4.35	转弯半径(货叉提升)	Turning radius (fork raised)	Wa(mm)	1694 ¹⁾ /2031 ²⁾	
	性能 Performances	5.1	行驶速度, 满/空载	Travel speed, with/without load	km/h	6.0/6.0 ³⁾
		5.2	提升速度, 满/空载	Lift speed, with/without load	m/s	0.036/0.043
5.3		下降速度, 满/空载	Lower speed, with/without load	m/s	0.064/0.060	
5.8		最大爬坡能力, 满/空载	Max. Climbing ability, with/without load	%	13/20	
5.10		行车制动	Service brake		电磁机械 Electro-mechanical	
驱动 Drive	6.1	驱动电机功率(60分钟)	Drive motor output (60 min.rating)	kW	1.5	
	6.2	提升电机功率, 15% 功率	Lift motor output (15% rating)	kW	1.2	
	6.3	蓄电池, 根据 DIN 标准	Battery according to DIN 43 531/35/36A,B,C,no		DIN 43535 B	
	6.4	蓄电池电压/额定容量(5小时放电量)	Battery voltage/rated capacity (5h)	V/Ah	24/330	
	6.5	电池重量(+5%)	Battery weight	kg	297	
其他 Others	8.1	驱动控制方式	Type of Drive control		LAC variator	
	8.4	驾驶员耳边噪音水平	Sound level at driver's ear	dB(A)	<70	
		标准叉车的参数根据实际装备会有所变化 1) 驾驶站板折起状态 2) 驾驶站板打开状态 3) 当叉车加装护臂时, 行驶速度为 7.5km/h	Figures for standard version may vary when optional equipment is fitted 1) Folded platform 2) Unfolded platform 3) Travel speed is 7.5km/h when T20AP04 equip with the side-guard protection option			



Ast=Wa-x+l6+a
安全距离 a=200mm
Security distance a=200mm

