

标准配置和选项 Standard and Optional Equipment

标准配置 Standard Equipment

- 三轮结构
- 车体(支腿)宽 1250 mm
- 林德载荷控制系统
- 林德双踏板控制系统
- 全面的仪表盘显示, 包括转向轮位置
- 聚氨酯驱动和承载轮
- 全轮制动
- 林德数字控制(牵引和提升)
- 电子转向
- 免维护6 kW驱动电机
- 免维护12 kW提升电机
- 标配48 V, 420 Ah电池
- 宽视野标准门架提升高度 4250 mm
- 货叉长度 1150 mm
- 货叉架宽度 880 mm
- 1010 mm 高挡货架
- 充电机
- 可调PVC座椅, 根据驾驶员身高和体重进行调节
- Three-wheel version
- Overall width (load legs) 1,250 mm
- Two central Linde load Control levers
- Linde twin drive pedals
- Comprehensive integrated instrument display including steering indicators
- Polyurethane drive and load wheel tyres
- Self-adjusting load wheel brakes
- Linde Digital Control (Traction & lifting)
- Electric steering
- Zero-maintenance 6 kW traction motor
- Zero-maintenance 12 kW lifting motor
- Powerful 48 V battery, 420 Ah capacity
- Clear view standard mast 4250 mm lift height
- Fork length 1150 mm
- Fork carriage width 880 mm
- 1010 mm height load backrest
- Charger
- Adjustable PVC seat, adapts to operator's body size and weight

可选配置 Optional Equipment

- 宽视野门架, 最大提升高度 6220mm
- 单踏板系统, 包括方向控制杆
- 整体式侧移器
- 可选长度货叉
- 货叉套
- 行驶蜂鸣
- 360°转向(只能和单踏板系统一同选配)
- 座椅加热
- 工作灯及警示灯
- 附加油路
- 聚碳酸酯顶棚
- 驶入式护顶架
- 电池室滚轮
- 可选车体颜色
- Clear-view masts, lift height to 6220 mm
- Single drive pedal and armrest-integrated direction selector with left-foot lock
- Integral sideshifter
- Alternative fork lengths
- Fork extensions
- Audible traction alarm
- 360° steering (in conjunction with single drive pedal)
- Seat heater
- Work lamps and/or beacon lamp
- Auxiliary hydraulic circuit
- Polycarbonate roof screen
- Overhead guard designed for drive-in racking
- Battery roll out
- Custom paintwork

其他满足客户要求的可选配置 Other Options Available on Request



电动前移式叉车 R10 CS, R12 CS Electric Reach Trucks 1000 kg, 1200 kg

115

安全性 Safety

性能与安全完美结合, 林德叉车提供卓越的性能和可靠的安全保护。三套独立的制动系统和电子转向为精确作业提供保证。

Performance and safety go together. Linde Reach Trucks offer a high level of both. Three independent working braking systems and electric power steering provide a high level of working precision.

高性能 Performance

林德交流电机配合林德数字控制系统发挥了叉车的潜能, 实现最佳的工作效率。根据客户的特殊工况可以有多种可选容量的电池, 以适应客户的工况。The Linde Active drive concept employing advanced Linde Digital Control technology translates the abundant power of the trucks AC motors into maximum productivity. A comprehensive selection of batteries enables each truck to be matched exactly to the needs of its specific application.

舒适性 Comfort

林德人机工程设计将操作者和叉车完美结合。宽大的驾驶室, 舒适性座椅, 简洁的控制面板使驾驶成为乐趣。A harmony of operator and trucks has been achieved through the Linde ergonomic design concept. Spacious cab, comfort -class seat with lumbar support, neat layout of controls and Instruments, the operator compartment is tailored for maximum performance .

特点 Features

舒适的驾驶室 Comfortable operator compartment

- 林德载荷控制: 精确, 用手指可以轻松、精确地控制门架的所有动作。舒适的悬浮式座椅可以根据驾驶员的身高体重进行调节
- 转向舵位置可调
- 极佳的视野

- Comfortable operator compartment
- Linde Load Control: precise, effortless fingertip control of all mast movements. Ergonomics: full suspension comfort-class seat fully adjustable to the operator's personal preferences
- Adjustable steering and control console
- Excellent visibility of load and surroundings



林德双踏板系统 Linde twin drive pedals

- 双脚无需换位, 即可轻松实现叉车前进/后退
- 踏板行程短
- 降低驾驶员疲劳, 提高效率

- Fast change of forward-reverse direction without shifting feet on pedals
- Short pedals stroke
- Reduced operator fatigue and increased productivity

易维护 Service

该款叉车效率高, 维护方便。维护间隔长达1000小时, 电脑自我诊断功能大大降低了维护成本。林德LDC控制系统可以根据客户工况对整车参数进行调节, 以适应客户工况。Efficiency at work, efficiency in servicing. Maintenance intervals as long as 1,000 hours and a computer-controlled diagnostic system cuts costs and provides for optimum uptime. All Linde Digital Control parameters can be configured to precisely fit the requirements of the user's application.

林德(中国)叉车有限公司 Linde (China) Forklift Truck Corp., Ltd.
地址: 厦门市金尚路89号 Add.: No. 89, Jinshang Road, Xiamen 361009
电话/Tel: (0592)5533800 销售热线/Hot Line: (0592)5533888 800-858-2665(免费)
传真/Fax: (0592)5533242 服务热线/Service Hot Line: (0592)5533942
http://www.linde-china.com



控制精确 Precision

- 双踏板系统精确控制行驶
- 林德载荷控制精确控制货物堆垛
- 电子转向只需要极低的转向力, 并且反应灵敏
- 再生电流制动

- Accurate control of driving with Linde twin drive pedals
- Precision load handing with Linde Load Control levers
- Responsive rheological steering featuring individually adjustable steering
- resistance Regenerative electric braking

操作性佳 Maneuverability

- 结构紧凑的车身设计确保在狭小空间内也可灵活作业

- Short wheelbase and compact chassis dimensions permit easy maneuvering. Very well suited for working in narrow aisles

电池 Batteries

- 从360Ah到560Ah, 根据不同车型适配最佳电池
- 快速、简便的电池更换

- Optimum size battery for every application:360Ah to 560Ah depending on truck model
- > Quick and easy battery change



维护方便 Servicing

- 免维护的交流驱动和提升电机
- LDC系统实现参数可调
- 元件触手可及, 维护方便
- 系统总线控制

- Maintenance-free AC traction and lift motors
- Configurable Linde Digital Control system
- All point requiring servicing conveniently grouped
- Modern CAN bus architecture

若有技术参数或配置的改变, 恕不另行通知; 所示图表可能含非标准配置。
"Subject to modification in the interests of progress, illustration and technical details not binding for actual constructions and may show the optional equipments."

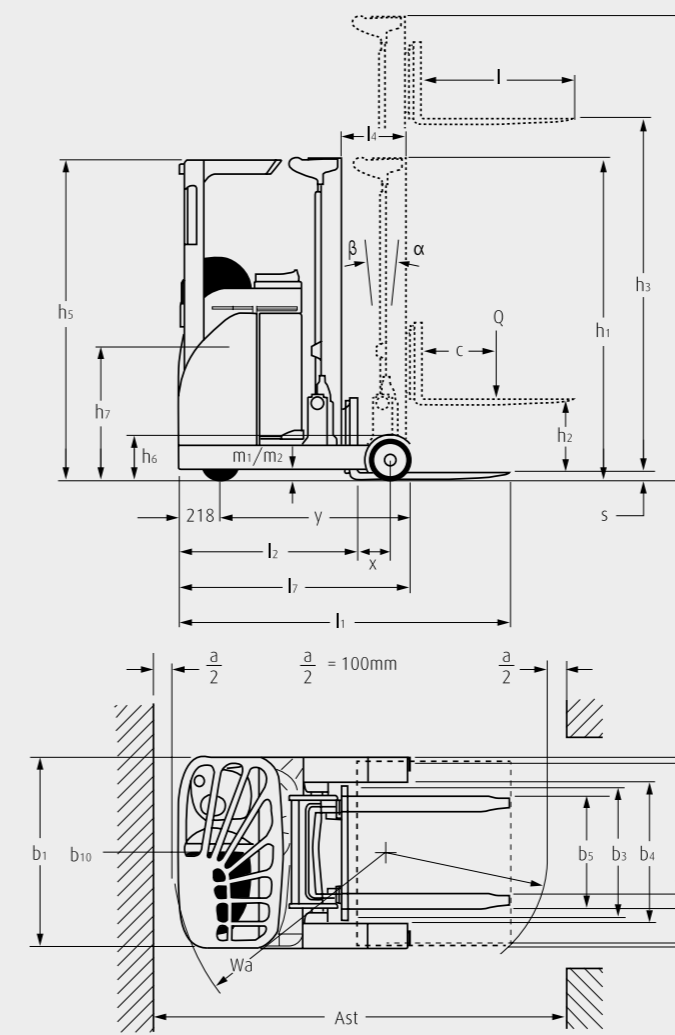
115_R10CS, R12CS_D-01_201006



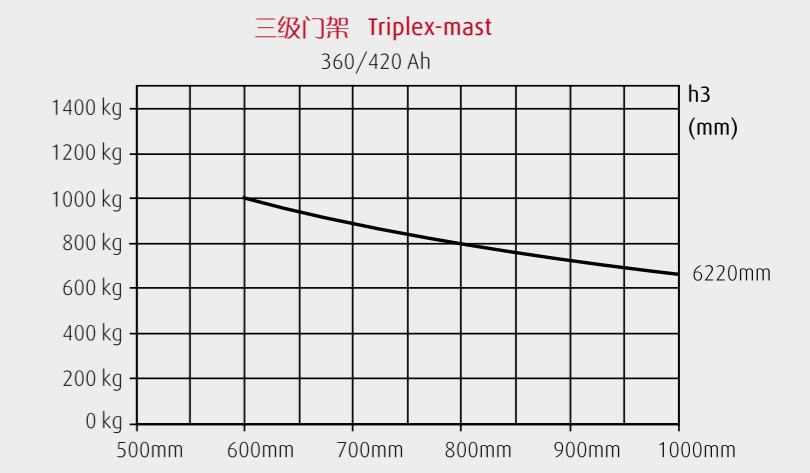
叉车技术参数 Technical Data

特性 Characteristics	1.1	制造厂商	Manufacturer	Linde	Linde		
	1.2	型号	Model designation	R10 CS	R12 CS		
	1.3	动力: 蓄电池、柴油、汽油、液化石油气	Power unit: battery, diesel, petrol, LPG gas	蓄电池 Battery	蓄电池 Battery		
	1.4	驾驶方式	Operation	坐驾式 Seated	坐驾式 Seated		
	1.5	额定承载能力	Load capacity	Q(kg)	1000 ³⁾	1200 ³⁾	
	1.6	载荷中心距	Load centre	c(mm)	600/500	600/500	
	1.8	前悬距	Axle centre to fork face	x(mm)	226	226	
	1.9	轴距	Wheelbase	y(mm)	1165	1165	
	2.1	自重	Service weight	kg	2630 ⁴⁾	2660 ⁴⁾	
重量 Weights	2.3	满载时的桥负荷, 驱动侧/承重侧	Axle load without load, front (drive)/rear (load)	kg	1330/1300 ⁴⁾	1360/1300 ⁴⁾	
	2.4	满载时门架前移的桥负荷, 驱动侧/承重侧	Axle load, fork outreached with load, front (drive)/rear (load)	kg	590/3040 ⁴⁾	470/3890 ⁴⁾	
	2.5	满载时门架缩回的桥负荷, 驱动侧/承重侧	Axle load, fork retracted with load, front (drive)/rear (load)	kg	1140/2490 ⁴⁾	1170/2690 ⁴⁾	
	3.1	轮胎, 驱动侧/承重侧: C=橡胶实心胎, P=聚氨酯胎	Tyres, front (drive)/rear (load) C = cushion rubber, P = polyurethane		P/P	P/P	
	3.2	轮胎尺寸, 驱动侧	Tyre size, front (drive) wheel	mm	Ø343X135	Ø343X135	
轮胎 Wheels	3.3	轮胎尺寸, 承重侧	Tyre size, rear (load) wheel	mm	Ø285x100	Ø285x100	
	3.5	车轮数量, 驱动侧/承重侧 (x=驱动轮)	Wheels, number front (drive)/rear (load) (x = driven)		1x/2	1x/2	
	3.6	轮距, 驱动侧	Track width, front (drive)	mm	0	0	
	3.7	轮距, 承重侧	Track width, rear (load)	mm	1150	1150	
	尺寸 Dimensions	4.1	门架倾角, 前/后	Mast/fork carriage tilt, forward/backward		2/2	2/2
4.2		门架回缩高度	Height of mast, lowered	h ₁ (mm)	2715	2715	
4.3		自由提升高度	Free lift	h ₂ (mm)	150	150	
4.4		提升高度	Lift	h ₃ (mm)	4250 ¹⁾	4250 ¹⁾	
4.5		作业时门架最大高度	Height of mast, extended	h ₄ (mm)	3873	3873	
4.7		护顶架(驾驶室)高度	Height of overhead guard (cabin)	h ₆ (mm)	2110	2110	
4.8		驾驶员离地高度, 最低/最高	Height of seat, minimum/maximum	h ₇ (mm)	940/1030	940/1030	
4.10		支腿高度	Height of reach legs	h ₈ (mm)	310	310	
4.19		车体长度	Overall length	l ₁ (mm)	2357	2357	
4.20		车体长度(不含货叉)	Length to fork face	l ₂ (mm)	1157	1157	
4.21		车体宽度	Overall width	b ₁ /b ₂	1234/1250	1234/1250	
4.22		货叉尺寸	Fork dimensions	s/e/l(mm)	40x80x1150	40x80x1150	
4.23		货叉架, 根据DIN15173, 安装等级/形式A, B	Fork carriage to DIN 15173, class/form A, B		2A	2A	
4.24		货叉架宽度	Width of fork carriage	b ₃ (mm)	880	880	
4.25		货叉外间距, 最小/最大	Fork spread, minimum/maximum	b ₅ (mm)	296/753 ⁶⁾	296/753 ⁶⁾	
4.26		支腿内侧间距	Width between reach legs	b ₄ (mm)	922	922	
4.28		前移距离	Reach travel	l ₄ (mm)	407	407	
4.31		门架离地间隙	Ground clearance, mast	m ₁ (mm)	105	105	
4.32		轴距中点离地间隙	Ground clearance, centre of wheelbase	m ₂ (mm)	75	75	
4.33	直角堆垛通道宽度, 托盘1000x1200 (1200跨货叉放置)	Aisle width with pallet 1000 x 1200 across forks	Ast(mm)	2614	2614		
4.34	直角堆垛通道宽度, 托盘800x1200 (1200沿货叉放置)	Aisle width with pallet 800 x 1200 along forks	Ast(mm)	2688	2688		
4.35	转弯半径	Turning radius	Wa(mm)	1435	1435		
4.37	车体长度	Length of chassis	l ₇ (mm)	1526	1526		
性能 Performances	5.1	行驶速度, 满/空载	Travel speed, with/without load	km/h	13.5/13.5 ⁴⁾⁵⁾	13.5/13.5 ⁴⁾⁵⁾	
	5.2	提升速度, 满/空载	Lifting speed, with/without load	m/s	0.48/0.65 ⁴⁾	0.44/0.65 ⁴⁾	
	5.3	下降速度, 满/空载	Lowering speed, with/without load	m/s	0.50/0.45 ⁴⁾	0.50/0.45 ⁴⁾	
	5.4	门架前移速度, 满/空载	Reach speed, with/without load	m/s	0.15/0.15 ⁴⁾	0.15/0.15 ⁴⁾	
	5.7	爬坡能力, 满/空载, 30分钟	Climbing ability, with/without load, 30 minute rating	%	4.5/8.2	4.5/8.2	
	5.8	最大爬坡能力, 满/空载	Maximum climbing ability, with/without load, 5 minute rating	%	10/10	10/10	
	5.9	加速时间, 满/空载	Acceleration time, with/without load	s	5.5/4.8 ⁵⁾	5.5/4.8 ⁵⁾	
	5.10	行车制动	Service brake		液压/电子 Hydraulic/Electric		
	驱动 Drive	6.1	驱动电机功率(60分钟)	Drive motor, 60 minute rating	kw	6 ⁴⁾⁵⁾	6 ⁴⁾⁵⁾
		6.2	提升电机功率, 15%功率	Lift motor, 15% rating	kw	12	12
6.3		蓄电池, 根据IEC标准	Battery according to IEC		254-2	254-2	
6.4		蓄电池电压/额定容量(5小时放电量)	Battery voltage/rated capacity (5 h)	V/Ah	48/420 ²⁾	48/420 ²⁾	
6.5		电池重量(±5%)	Battery weight (±5%)	kg	750	750	
其他 Others	8.1	驱动控制方式	Type of drive control		电控/无级变速 Electronic/stepless		
	8.2	属具工作油压	Working pressure for attachments	bar	200	200	
	8.3	属具油流量	Oil flow for attachments	l/min	6.5	6.5	
	8.4	驾驶员耳边噪音水平	Noise level at operator's ear	dB(A)	64 ⁷⁾	64 ⁷⁾	
标准叉车的参数根据实际装备会有所变化		标准叉车的参数根据实际装备会有所变化				Figures for standard version may vary when options equipment is fitted	
1) 其他提升高度见右表		1) 其他提升高度见右表				1) For all other heights, see table	
2) 采用其他替换蓄电池和选装的侧移功能, 将增加至货叉面长度及直角堆垛通道宽度		2) 采用其他替换蓄电池和选装的侧移功能, 将增加至货叉面长度及直角堆垛通道宽度				2) Alternative batteries and optional integral sideshift increase length to fork face and 90° stacking aisle widths	
3) 提升高度增大, 叉车承载能力将下降		3) 提升高度增大, 叉车承载能力将下降				3) Capacity may be reduced for high lifts	
4) 叉车行驶速度、提升及下降速度和自重将随着提升高度的变化而变化		4) 叉车行驶速度、提升及下降速度和自重将随着提升高度的变化而变化				4) Traction, lift, lower and reach speeds and weights may vary with alternative lift heights	
5) 可根据要求降低速度和加速度		5) 可根据要求降低速度和加速度				5) Reduced speed and acceleration on request	
6) 选装整体式侧移器时货叉外间距最大值为 690mm		6) 选装整体式侧移器时货叉外间距最大值为 690mm				6) Maximum fork spread is reduced to 690mm with optional integral sideshift	
7) 未加封闭驾驶室时的噪声, 加装封闭驾驶室时为 69 dB(A)		7) 未加封闭驾驶室时的噪声, 加装封闭驾驶室时为 69 dB(A)				7) Figure shown is without cab; 69dB(A) when cab fitted	

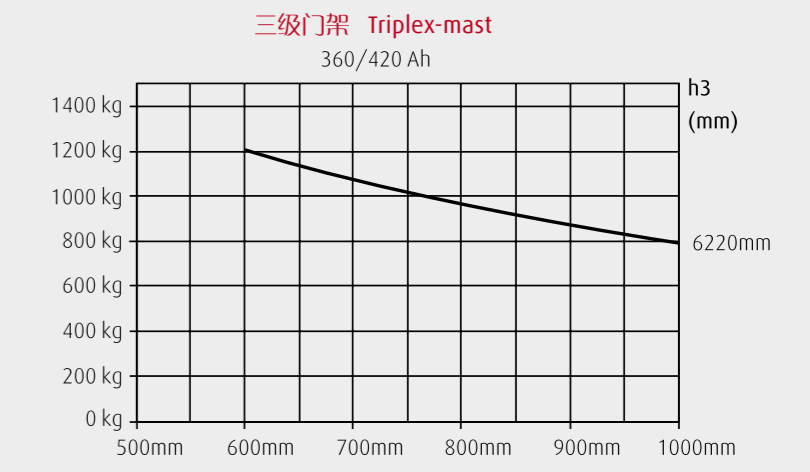
载荷曲线图普通、二级门架和三级门架带标准货叉架 Lifting Capacity Diagram for Standard, Duplex Mast and Triplex Mast with Standard Fork Carriage



安全距离 a=200mm
Safety distance a=200mm



载荷中心 (mm)
Load Centre (mm)



载荷中心 (mm)
Load Centre (mm)

门架参数表 Mast Datasheet (in mm)

门架类型: (R10CS/R12CS) Mast types: (R10CS/R12CS)	二级门架 Duplex mast									
	提升高度	提升高度含货叉厚度	门架缩回时高度	作业时最大高度	自由提升高度	4170	4470	5470	6220	6275
提升高度	Lift	h ₃	4250	4850	5650	4170	4470	5470	6220	
提升高度含货叉厚度	Lift+fork height	h ₃ +s+150	4305	4905	5705	4225	4525	5525	6275	
门架缩回时高度	Height, mast retracted	h ₁	2715	3015	3415	2640	2090	2490	2740	
作业时最大高度	Height, mast extended	h ₄	4873	5473	6273	4793	5093	6093	6843	
自由提升高度	Free lift	h ₂	150	150	150	2018	1468	1868	2118	